



EKTA  
HÅNDVÆRK

# Ekta is all about honesty.

**Ekta Handvaerk is a Danish design company that produces handcrafted furniture and functional décor pieces that speak to a strong Scandinavian design aesthetic.**

Inspired by Nordic heritage and guided by contemporary Danish design, Ekta Handvaerk has partnered with established artists, designers and craftsmen from around the world to create a catalogue of products that will appeal to discerning homeowners around the world.

The ethos that guides the Ekta brand is a commitment to bringing unique designs to life through ethical, considered craftsmanship, using only premium quality wood, leather and brass. Before any of our pieces are allowed to leave our workshop they must first pass the scrutiny of our senior craftsmen and designers. This high level of quality control

ensures that your chair, lamp or side table will stand the test of time in any home or decor setting.

While we hold each piece up to the highest international standards of design and craftsmanship, we equally respect the leather and wood with which we work. That's why we don't discard quality pieces of wood and leather if they carry small visual imperfections.

We believe these marks reveal the story of its journey and adds to the character of each piece because it is unique, one of a kind. Just like you.



## David Krynauw

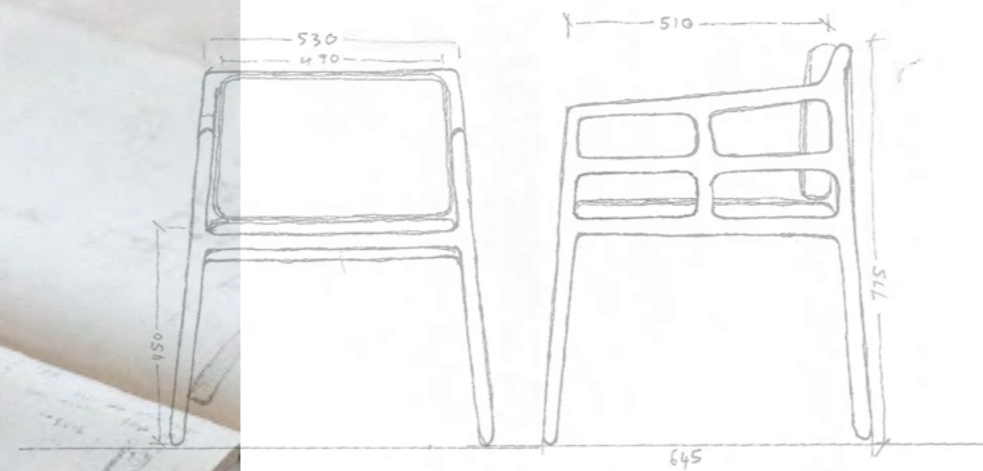
/ 01

**Krynauw's journey as a craftsman began with the simple desire to create and he has since elevated his craft to the highest levels, including erecting his own chapel in Johannesburg as a proof of concept.**

One of South Africa's leading creative designers, Krynauw's work is synonymous with a passion for pushing the boundaries of design in every piece he creates. This constant evolution of style and trend-setting aesthetics offers an ideal environment for his creative and production teams to keep raising their standards in every piece they produce. Wood is the most challenging material for any designer, but Krynauw's attention to detail in the design and crafting of his pieces offers evidence of the mastery he holds over his craft.

Krynauw artfully melds old world class with a contemporary edge to ensure his pieces are welcome in any home. From a stately homestead to a cutting edge modernist home, Krynauw's designs will offer a focal point in any room.

This beautiful range is a collaboration between Krynauw and Ekta Handvaerk and is one of our exclusive brands.



Each chair has its own  
unique story to tell.

## Metropolitan Chair

Handcrafted wood and Krynauw aesthetic meets Danish design in this compelling piece. Artfully rounded corners and an intriguing space created within the form lend a sculptural aspect to the design aesthetic.

Designer: David Krynauw

Top: Leather

Wood: Natural, Semi-smoked or Dark-smoked oak



## Crescent Chair

The Crescent Chair is an exploration of form and function. The single, curved crescent is a focal point in the structural lines of this stylish yet beautifully understated chair. The Crescent Chair offers a superb disruption of the linear aesthetic with its minimalist character, while the quality of the timber and choice of leather seat are quintessentially Krynauw.



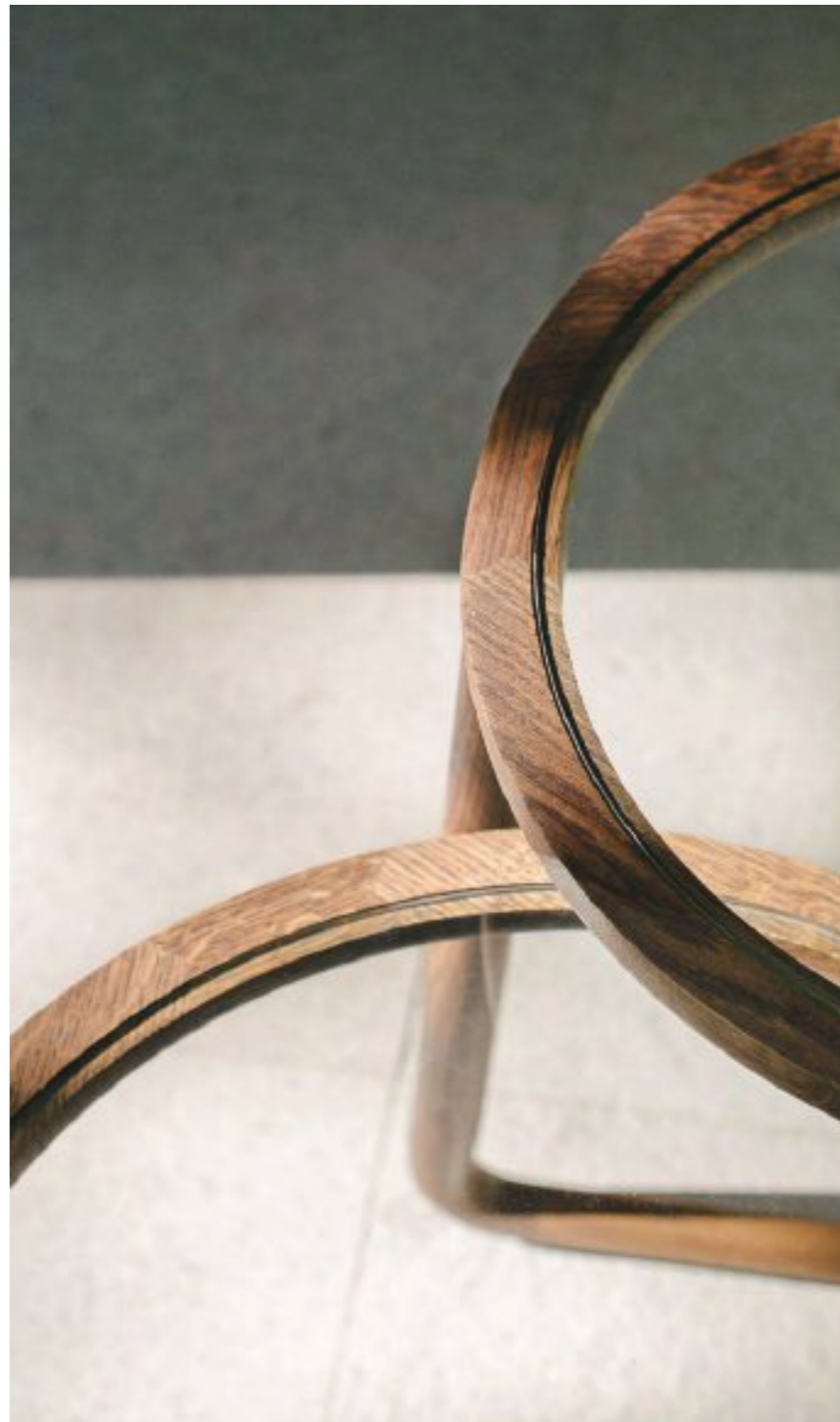
Designer: David Krynauw | Cushion: Leather | Wood: Natural, Semi-smoked or Dark-smoked oak

## Oslo Bar Chair

The elegant Oslo Bar Chair is an artful marriage of old and new design aesthetic, offering slim lines, artfully rounded corners and traditional leather-woven top.



Designer: David Krynauw | Top: Leather | Wood: Natural, Semi-smoked or Dark-smoked oak



The Holmes range of side tables has been designed to create an iconic nesting table that offers a unique aesthetic and superb functionality without dominating a room. The soft, unobtrusive lines and glass top enables the Holmes tables to be rearranged with ease, while the unique base legs ensure excellent stability.

## Holmes Side Tables

The precision of Krynauw's design talents meets a beguiling connective illusion in these side tables. The Danish aesthetic is wholly present in the simplicity of the lines and forms that make up the design. The connective intricacies of the table legs add an element of intrigue and character, while providing a solid base.



Designer: David Krynauw | Glass: Bevelled edges | Wood: Natural, Semi-smoked or Dark-smoked oak

## Harmony Table Lamp



The Harmony Table Lamp is informed by the idea of balance both in design and aesthetic. Inspired by the concept of a balance scale, Krynauw's design for this stylish lamp has resulted in an adjustable light source that allows for smooth movement while hiding unsightly springs, plastic or visible screws.

Designer: David Krynauw | Lampshade: Brass | Wood: Semi-smoked oak

## Little Man Lamp



The Little Man Lamp exudes a unique character while serving as the perfect ambassador for no-fuss, minimalist design. Crafted from entirely natural materials using the principles of basic geometry, the lamp's character is enhanced by the lack of visible screws.

Designer: David Krynauw | Lampshade: Brass | Wood: Semi-smoked oak

# Knud Holscher

/ 02

**Holscher's creations have their roots in tradition, but the methods and materials he uses to bring them to life point to an inspired vision of the future.**

One of the most influential designers in Scandinavia, Holscher has amassed a vast wealth of knowledge of his craft over the past four decades. This creative capital ensures that his design studio creates pieces of exceptional character and quality. He draws inspiration from the simple, harmonious forms of nature and there is a strong sense of purpose throughout his work.

Every detail is there for a reason and nothing is created solely for the sake of appearance. This aesthetic leans on the Nordic traditions of simplicity and clarity of design while remaining true to the product's purpose both in public and private spaces.







Designer: Knud Holscher | Material: Polished Stainless Steel

## LightArch

The LightArch consists of single candlesticks or arches that interlock in a variety of ways to build beautiful candlestick arrangements of unlimited size to suit any mood or occasion. Additional arms can be added to create a truly personal feature piece. The polished stainless steel arches curve to mirror and reflect the glow of the candles, in so doing creating a fascinating play of light and form.





Designer: Knud Holscher | Material: Stainless Steel Body, Sand-blasted Stainless Steel Mouth Piece

## Firekeeper

The design aesthetic of the Firekeeper offers a sleek, informed modernisation of the traditional fireplace poker and old bulky bellows. It is ideal for starting or tending fires in wood-burning stoves, open fireplaces and outdoor grills as its length offers a safe and direct passage of air direct to the fire's embers. A magnetic rest can be attached to a wall to allow the Firekeeper to be stored in inspired minimalist fashion.





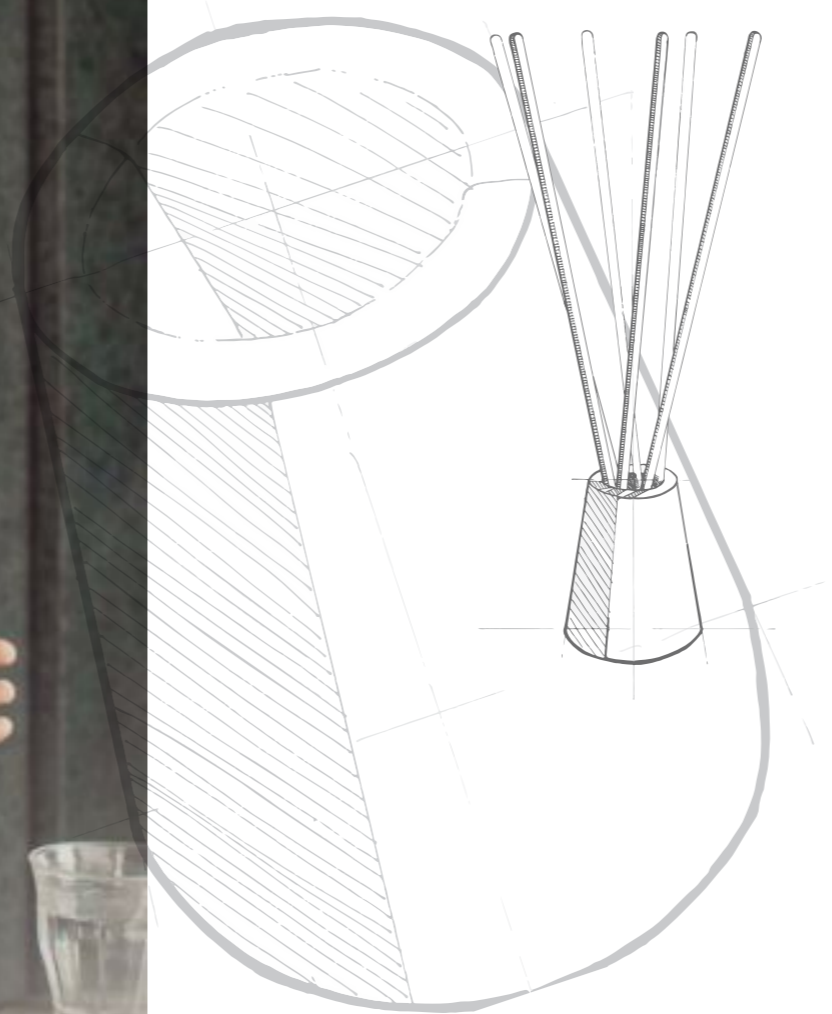
## Wei-Lun Tseng

/ 03

**Wei-Lun Tseng's creativity is inspired by the desire to produce well-designed, high quality and beautiful décor items that people will enjoy having in their homes and in their lives.**

A Taiwanese designer who founded an entrepreneurial design studio in Taipei, Wei-Lun Tseng's collaborative designs deliver a consistent message that touch heart and soul. His design studio is built around a diverse, multicultural group of creative individuals who are all passionate about their craft, and this unique creative mix has given birth to a superior body of works that speak to a global audience.

Tseng is no stranger to accolades and awards, but his body of work and design vision speak for themselves. In an interview with art4d, Tseng captured the essence of his aesthetic beautifully when he shared his belief that "there is no such thing as 'a perfect design'".





Minimalist, whimsical yet superbly functional, the Spaghetti Coat Rack has brought utility décor out of the shadows and into the spotlight.

Designers: Vytautas Gecas & Wei-Lun Tseng | Base: Terrazzo or concrete | Sticks: Beach Wood

## Spaghetti Coat Rack

A quirky take on the traditional coat rack, the Spaghetti Coat Rack is a delightfully functional piece of architectural décor that was borne out of the collaborative energy of Wei-Lun Tseng and Vytautas Gecas. An air of playful nostalgia accompanies its thoughtful design, which consists of a weighted base and six sturdy beech sticks to hold coats and jackets.

A work of art in its own right, the base of the Spaghetti Coat Rack is offered in two different colour schemes to suit each home's interior space - either a natural concrete or a composite terrazzo base made from marble or granite (and set in concrete).



## Macaroni Add-on

Vytautas Gecas & Wei-Lun Tseng have fashioned a beautiful add-on to the Spaghetti Coat Rack in the shape of the Macaroni Add-On. This functional leather snap-on strap enables the Coat Stand to hold a bag or any item of clothing. The high-quality leather accessory adds character as well as purpose to this aesthetically beautiful piece.



Designers: Vytautas Gecas & Wei-Lun Tseng | Material: Leather & Silicone



## Firekeeper

By Knud Holscher

**Material** Stainless Steel Body  
Sand-blasted Stainless Steel Mouth Piece

**Dimensions** L670mm



9912221011

## LightArch

By Knud Holscher

**Material** Polished Stainless Steel

**Dimensions** 280 x 170 x 280mm /  
180 x 110 x 180mm



Extra Arch Arms: 9912231028 (black) | 9912231025 (white)

## Holmes Side Tables

By David Krynauw

**Material** Oak | Glass

**Dimensions** Short Table (DK-JT01)  
W500 x H450 x D500mm (4,7kg)

Medium Table (DK-JT02)  
W440 x H560 x D440mm (4,7kg)



DK-JT01-DS

DK-JT02-DS

## Crescent Chair

By David Krynauw

**Material** Oak | Leather

**Dimensions** W630 x H700 x D530mm (6,2kg)  
Seat: H470 x D470mm



DK-JC102-NA

DK-JC102-SS

DK-JC102-DS

## Metropolitan Chair

By David Krynauw

**Material** Oak | Leather

**Dimensions** W670 x H780 x D640mm (5,9kg)  
Seat: H510 x D530mm



DK-JC202-NA

DK-JC202-SS

DK-JC202-DS

## Little Man Lamp

By David Krynauw

**Material** Oak | Brass

**Dimensions** H470 x W403mm (1.8kg)  
Shade W182mm  
Cable 1.5zm

**Bulb** 230V E27



DK-LM01

## Harmony Table Lamp

By David Krynauw

**Material** Oak | Brass

**Dimensions** W631 x H557mm (1,8kg)  
Base W252 x L135mm  
Shade W130mm, Cable 1.5m

**Bulb** 230V E14



DK-LL01

## Oslo Bar Chair

By David Krynauw

**Material** Oak | Leather

**Dimensions** W435 x H700 x D320mm (3,1kg)



DK-JC402-NA

DK-JC402-SS

DK-JC402-DS

## Spaghetti Coat Rack

By Vytautas Gecas & Wei-Lun Tseng

**Material** Terrazzo & Beach Wood (D1S-T)  
Concrete & Beach Wood (D1S-C)

**Weight** Concrete Base 15kg, Terrazzo Base 17kg  
Spaghetti Sticks 3,5kg

**Dimensions** W700 x H1600mm



D1S-T

D1S-C

## Macaroni Add-on

By Vytautas Gecas & Wei-Lun Tseng

**Material** Leather & Silicone

**Weight** 20g

**Dimensions** W70 x H40mm



D2M-L1



Ekta Handvaerk  
Bymosevej 17, DK-3200, Helsingør  
+45 70 555 888 | [info@ektahandvaerk.com](mailto:info@ektahandvaerk.com)  
[@ekta\\_handvaerk](#)